

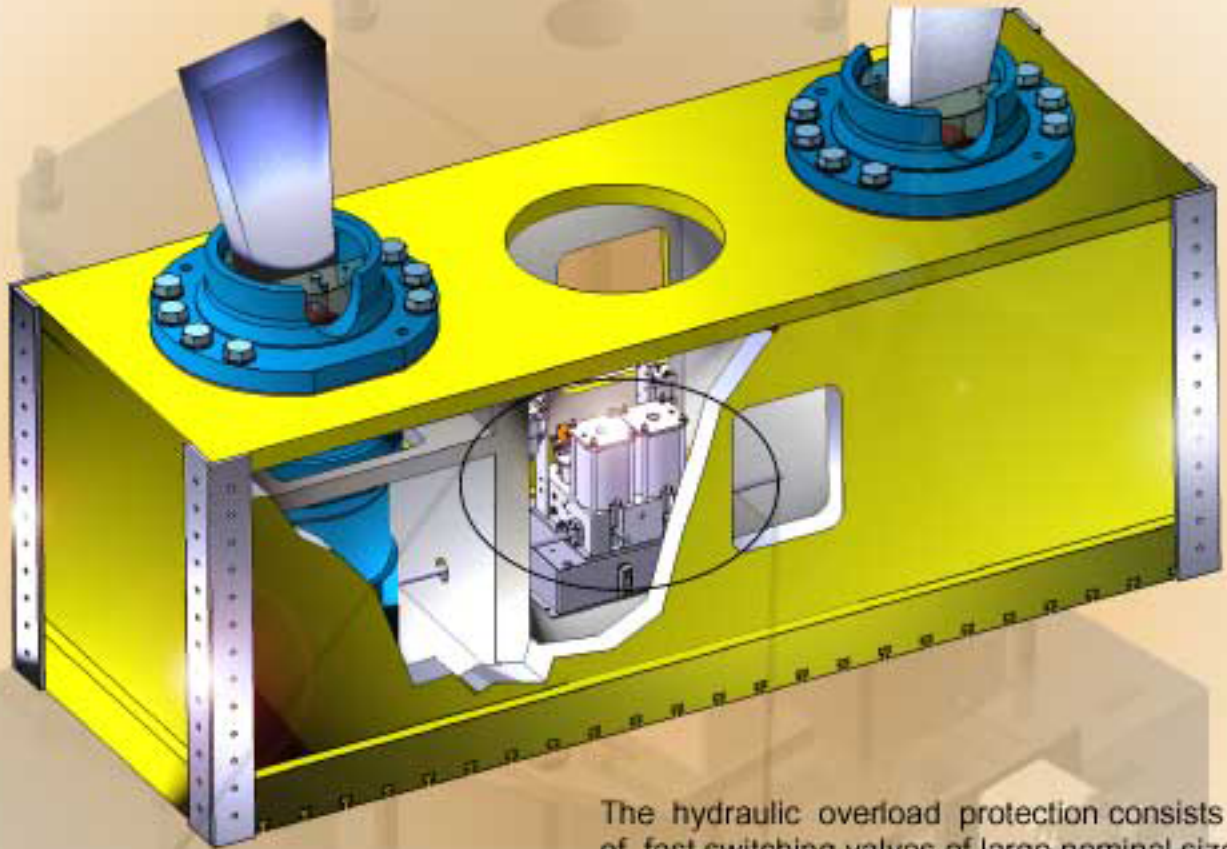
FCE Fluid Control Engineering GmbH

Overload protection by presses

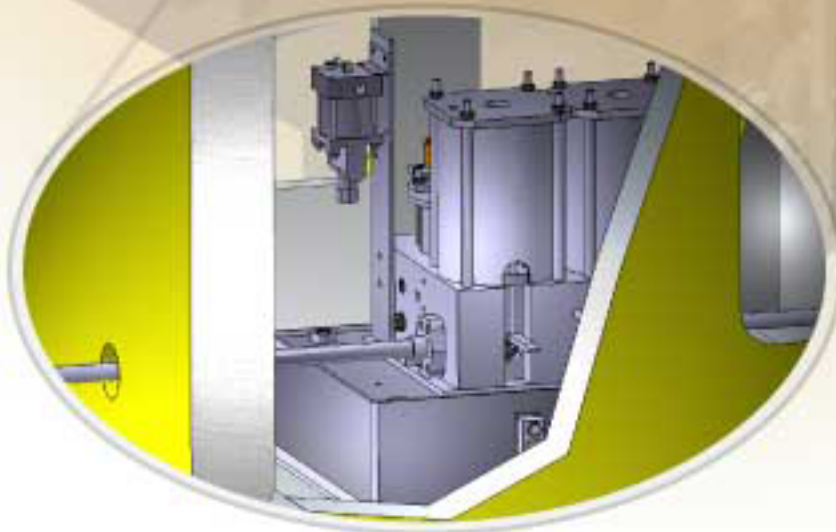
i

K-Info 2 / 2002

Per pressure point an overload protection is present. When releasing the overload protection of a pressure point obligatory opening of the safety device of the second pressure point takes place by means of control line.



The hydraulic overload protection consists of fast switching valves of large nominal size. Thus a sufficiently fast drain of the oil from the pressure cushion is reached.



Fluid Control Engineering GmbH
Hohenwindenstraße 13
D-99086 Erfurt
Tel: +49 (0) 361 / 74 91 450
Fax: +49 (0) 361 / 73 09 630
E-Mail: info@fluid-control.de
www.fluid-control.de